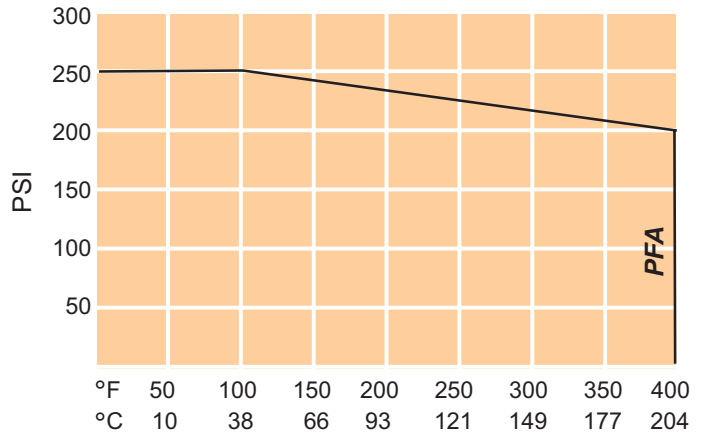


081 Sight Flow Indicator

Sizes 1 through 6 inch, ANSI Class 150

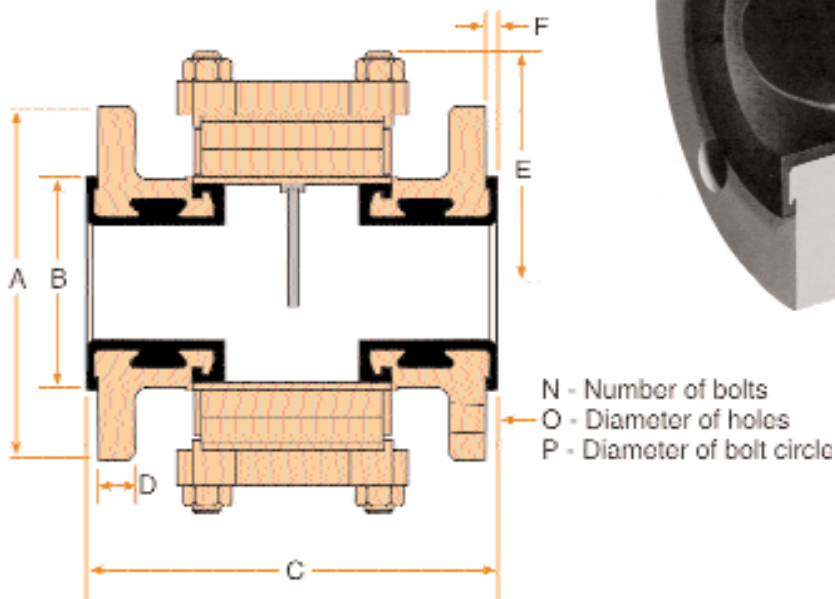
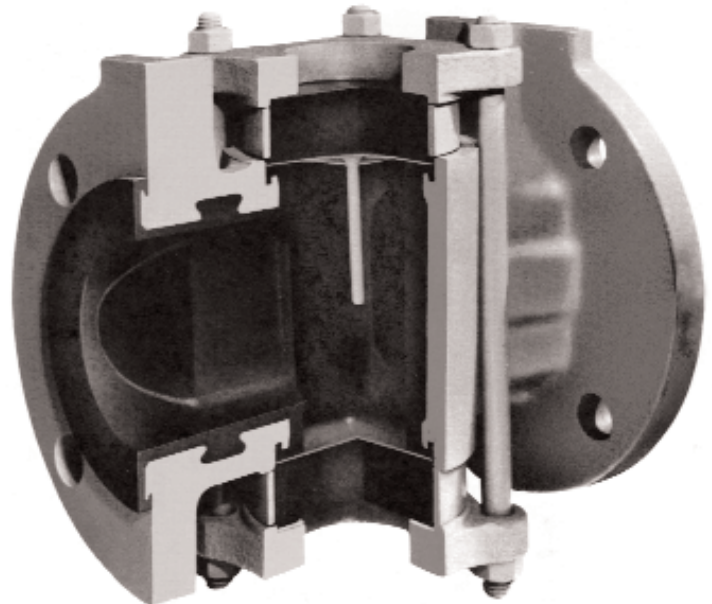
Tuflite sight flow indicators provide reliable indication of flow on any corrosive service. Safe and shatter-proof, each window consists of two tempered lime glasses cemented together by a proprietary adhesive. The glasses are encased with a steel circumferential band. Fluid flow can be viewed from either top or bottom. Drip-lip feature is incorporated into the liner for immediate flow indication on low-pressure applications.

Pressure-Temperature Ratings



Materials of construction

Body	PFA lined ductile iron
Top and bottom covers	Ductile iron
Top and bottom seal discs	PFA
Top and bottom glass cushions	PTFE
Cover bolts and nuts	B7 carbon steel
Indicator rod support	PTFE
Indicator rod	PTFE
Top and bottom lens assembly	Tempered glass



Dimensions (inches)

Size	A	B	C	D	E	F	N	O	P	Wt. lbs.	Cv Factors
1	4.25	2.88	5.00	.44	2.88	.13	4	.63	3.13	8	39
1½	5.00	3.25	6.50	.56	3.25	.13	4	.63	3.88	13	80
2	6.00	4.00	7.00	.63	4.00	.15	4	.75	4.75	20	155
3	7.50	4.50	8.00	.75	4.50	.15	4	.75	6.00	30	265
4	9.00	5.25	9.00	.94	5.25	.15	8	.75	7.50	50	493
6	11.00	5.69	10.50	1.00	5.69	.15	8	.88	9.50	84	967