

with microcontroller  
for two-way and three-way valves  
BR206GF • BR306GF  
BR216GF • BR316GF



**MC250  
MC400  
MC500  
MC1000**

## Features

- Microprocessor controlled with automatic self-calibration on start up
- LED indication of actuator status
- Wear-free distance measuring system - no potentiometer
- Permanent storage of stroke in EPROM memory, values can not be lost
- Wire break recognition in 2...10 VDC and 4...20 mA operation
- Bonnet detachable in four positions, 90° locking, no screws required
- Safety position for switching a binary signal (frost safety)
- Integrated, self-controlling heater
- Pull-out manual adjustment with message signal
- Fault recognition in continuous operation (in case of blockage by foreign bodies)
- Input and output signal independently reversible
- Input signal freely adjustable: 3-point or modulating
- Hysteresis freely adjustable
- Shockproof at 230 VAC, no protective conductor (PE) necessary

## Technical data

Type		MC250/24	MC250/230
Actuating time <sup>1)</sup>	s/mm	5 · 2.5*	5 · 2.5*
Actuating thrust	kN	2.5	2.5
Stroke	mm	max. 60	max. 60
Power supply	VAC	24 ±10%	230 +6% -10%
Power supply <sup>2)</sup>	VDC	24 ±10%	-
Frequency	Hz	50/60 ±5%	50/60 ±5%
Power consumption	VA	max. 18	max. 25
Input signal <sup>3)</sup>		3-point 0(2)...10 VDC 77 kOhm 0(4)...20 mA 0.51 kOhm	3-point 0(2)...10 VDC 77 kOhm 0(4)...20 mA 0.51 kOhm
Output signal <sup>3)</sup>		0...10 VDC max. 8 mA min. 1200 Ohm	0...10 VDC max. 8 mA min. 1200 Ohm
Hysteresis <sup>4)</sup>	V	0.05 · 0.15 · 0.3 · 0.5	0.05 · 0.15 · 0.3 · 0.5

<sup>1)</sup> Actuating time freely adjustable, presetting is marked with \*

<sup>2)</sup> only rectified alternating voltage

<sup>3)</sup> Invertible input and output signal

<sup>4)</sup> Freely adjustable

with microcontroller  
for two-way and three-way valves  
BR206GF • BR306GF  
BR216GF • BR316GF



**MC250  
MC400  
MC500  
MC1000**

Type		MC400/24	MC400/230
Actuating time <sup>1)</sup>	s/mm	0,6 · 0,4*	0,6 · 0,4*
Actuating thrust	kN	4,0	4,0
Stroke	mm	max. 60	max. 60
Power supply	VAC	24 ±10%	230 +6% -10%
Frequency	Hz	50/60 ±5%	50/60 ±5%
Power consumption	VA	max. 50	max. 63
Input signal <sup>3)</sup>		3-point 0(2)...10 VDC 77 kOhm 0(4)...20 mA 0,51 kOhm	3-point 0(2)...10 VDC 77 kOhm 0(4)...20 mA 0,51 kOhm
Output signal <sup>3)</sup>		0...10 VDC max. 8 mA min. 1200 Ohm	0...10 VDC max. 8 mA min. 1200 Ohm
Hysteresis <sup>4)</sup>	V	0,05 · 0,15 · 0,3 · 0,5	0,05 · 0,15 · 0,3 · 0,5

Type		MC500/24	MC500/230
Actuating time <sup>1)</sup>	s/mm	5 · 2,5*	5 · 2,5*
Actuating thrust	kN	5,0	5,0
Stroke	mm	max. 60	max. 60
Power supply	VAC	24 ±10%	230 +6% -10%
Power supply <sup>2)</sup>	VDC	24 ±10%	-
Frequency	Hz	50/60 ±5%	50/60 ±5%
Power consumption	VA	max. 18	max. 25
Input signal <sup>3)</sup>		3-point 0(2)...10 VDC 77 kOhm 0(4)...20 mA 0,51 kOhm	3-point 0(2)...10 VDC 77 kOhm 0(4)...20 mA 0,51 kOhm
Output signal <sup>3)</sup>		0...10 VDC max. 8 mA min. 1200 Ohm	0...10 VDC max. 8 mA min. 1200 Ohm
Hysteresis <sup>4)</sup>	V	0,05 · 0,15 · 0,3 · 0,5	0,05 · 0,15 · 0,3 · 0,5

<sup>1)</sup> Actuating time freely adjustable, presetting is marked with \*

<sup>2)</sup> only rectified alternating voltage

<sup>3)</sup> Invertible input and output signal

<sup>4)</sup> Freely adjustable

with microcontroller  
for two-way and three-way valves  
BR206GF • BR306GF  
BR216GF • BR316GF



**MC250  
MC400  
MC500  
MC1000**

Type		MC1000/24 <sup>3)</sup>	MC1000/230 <sup>3)</sup>
Actuating time	s/mm	1	1
Actuating thrust	kN	10	10
Stroke	mm	max. 60	max. 60
Power supply	VAC	24 ±10%	230 +6% -10%
Frequency	Hz	50/60 ±5%	50/60 ±5%
Power consumption	VA	max. 50	max. 63
Input signal <sup>1)</sup>		3-point 0(2)...10 VDC 77 kOhm 0(4)...20 mA 0.51 kOhm	3-point 0(2)...10 VDC 77 kOhm 0(4)...20 mA 0.51 kOhm
Output signal <sup>1)</sup>		0...10 VDC max. 8 mA min. 1200 Ohm	0...10 VDC max. 8 mA min. 1200 Ohm
Hysteresis <sup>2)</sup>	V	0.05 · 0.15 · 0.3 · 0.5	0.05 · 0.15 · 0.3 · 0.5

Enclosure protection: IP 54

Resolution: MC... electric 0.04 VDC  
MC250 / MC500 mechanical 0.04 mm  
MC400 mechanical 0,12 mm  
MC1000 mechanical 0.05 mm

Operating mode: MC250 / MC500 S3-50% ED c/h 1200 EN 60034-1  
MC400 / MC1000 S3-30% ED c/h 1200 EN 60034-1

End position switch-off: load-dependent

Ambient temperature: -10...+60°C

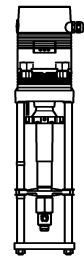
Weight: MC250/24 and MC500/24 7.0 kg  
MC250/230 and MC500/230 8.2 kg  
MC400 9,5 kg  
MC1000 11.0 kg

<sup>1)</sup> Invertible input and output signal

<sup>2)</sup> Freely adjustable

<sup>3)</sup> only for BR216GF/BR316GF

with microcontroller  
 for two-way and three-way valves  
 BR206GF • BR306GF  
 BR216GF • BR316GF

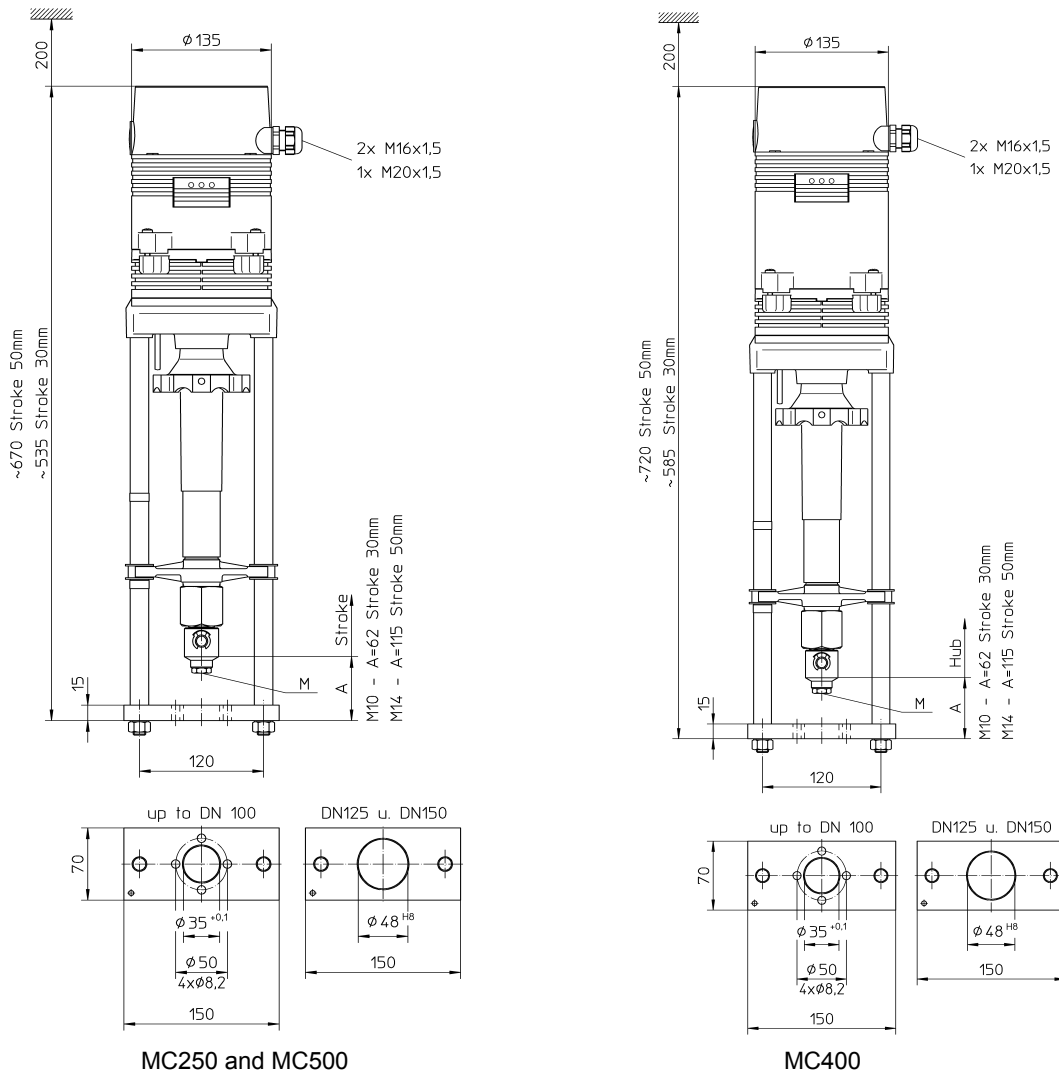


**MC250**  
**MC400**  
**MC500**  
**MC1000**

## Actuator variant and accessories

- Voltage: 115 VAC
- Position switch unit: 2 switches (WE1/WE2), potential free, infinitely adjustable  
 Rated load: 8 A / 250 VAC  
 8 A / 30 VDC  
 Turn-on voltage: max. 400 VAC  
 max. 125 VDC
- Enclosure protection: IP 65
- Board for output signal X=0(4)...20 mA
- Adapter with coupling for external products

## Drawing

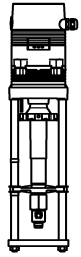


01/06/2009 Data subject to change without notice

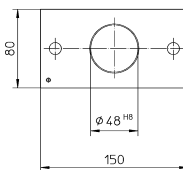
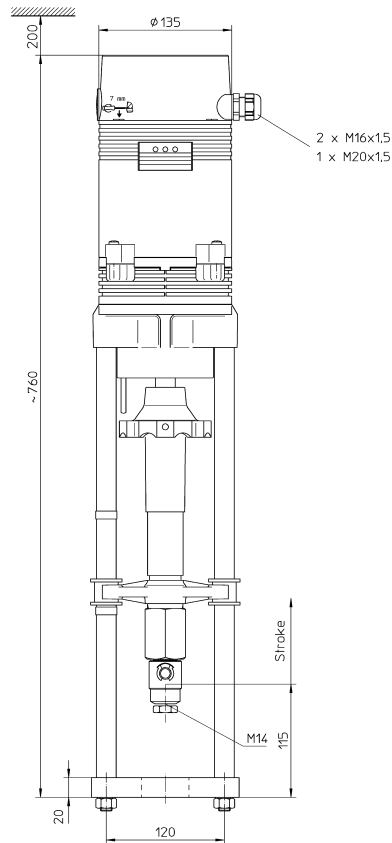
# Electric actuators

2.5 - 10 kN **7.1.7**

with microcontroller  
for two-way and three-way valves  
BR206GF • BR306GF  
BR216GF • BR316GF



**MC250**  
**MC400**  
**MC500**  
**MC1000**



MC1000

01/06/2009 Data subject to change without notice

**7.1.7** Phone +49 (0) 52 07 / 89 03 - 0  
Fax +49 (0) 52 07 / 89 03 - 80  
**5/6** e-Mail b-a@hora.de  
Internet www.hora-ba.com

Holter Regelarmaturen GmbH & Co. KG  
Helleforthstraße 58-60  
33758 Schloß Holte-Stukenbrock  
Germany



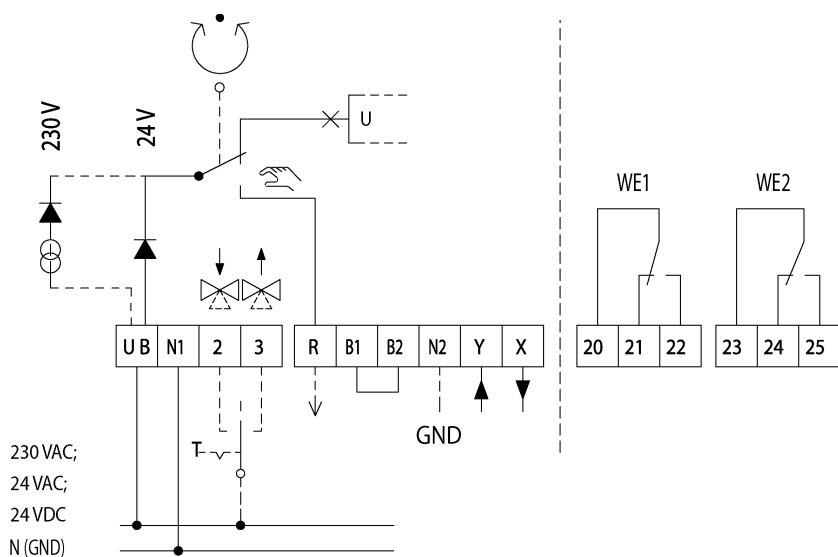
Excellence is our standard

with microcontroller  
 for two-way and three-way valves  
 BR206GF • BR306GF  
 BR216GF • BR316GF



MC250  
 MC400  
 MC500  
 MC1000

## Circuit diagram



R Feedback signal in „Manual“ mode of operation  
 R=24 VAC max.100 mA for actuators in 24 VAC design  
 R=24 VDC max.100 mA for actuators in 24 VDC design  
 R=24 VDC max. 100 mA for actuators in 230 VAC design

N2 Zero potential of the „X“, „Y“ and „R“ signals.

If the actuators in 230 VAC design are to be triggered on the „continuous“ mode of operation, i.e. by analogue signal „Y“, the connection of N2 (zero potential of the controller) is absolutely necessary. For actuators in 230 VAC design the connection N2 in the „3-position“ mode of operation is only necessary if „X“ and/or „R“ are to be used by the actuator. If the zero potentials of the signals X, Y and R are identical with the zero potential of the supply voltage, a bridge can be laid between N1 and N2 in order to save an additional lead to N2.

B1/B2 Connection of a binary signal (e.g. frost safety)